

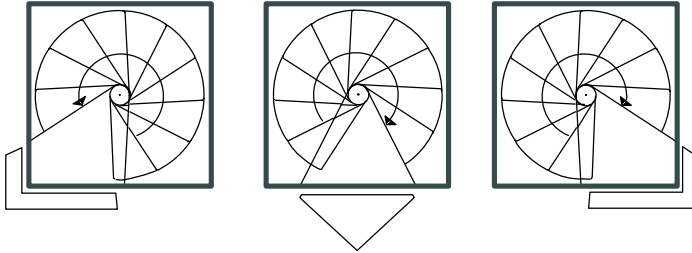
# CONFIGURATIONS PHOLA

## SIZE AND MINIMUM DIMENSIONS OF THE OPENING ON THE CEILING

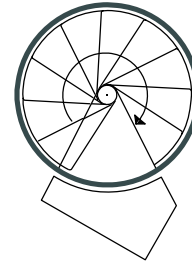
**CEILING OPENING DIAMETER:** staircase diameter + 5 cm.

**UNIVERSAL LANDING WITH 60° OPENING:** adaptable to any opening during installation and fixed at the same level as the finished upper floor.

### SQUARE OPENING

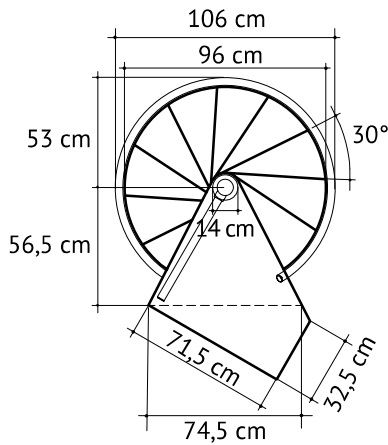


### ROUND OPENING

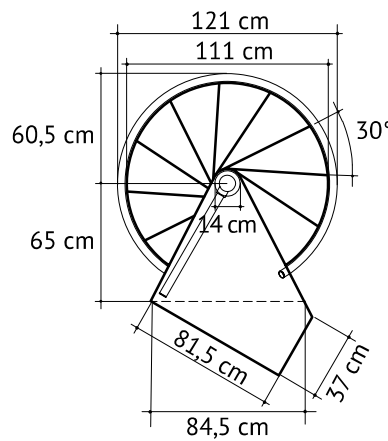


## SIZE AND MEASUREMENTS OF THE STAIRCASE

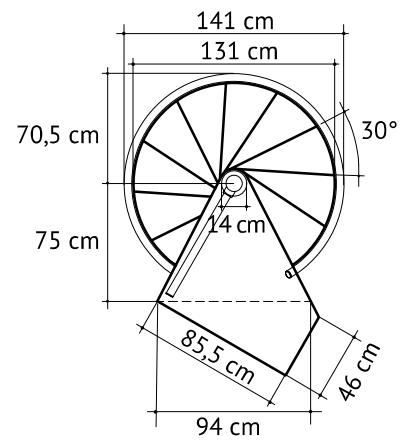
### Diameter 105 cm



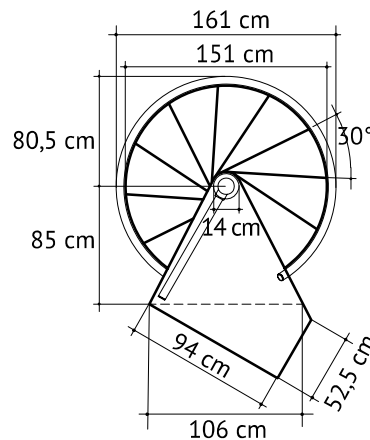
### Diameter 120 cm



### Diameter 140 cm

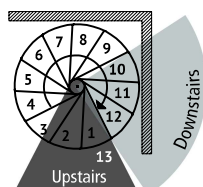


### Diameter 160 cm

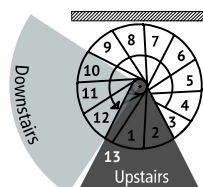


## VERIFICATION SCHEME ENTRANCE AREA AND EXIT AREA COMPARED TO THE POSITION OF THE WALLS

NOT RIGHT



RIGHT

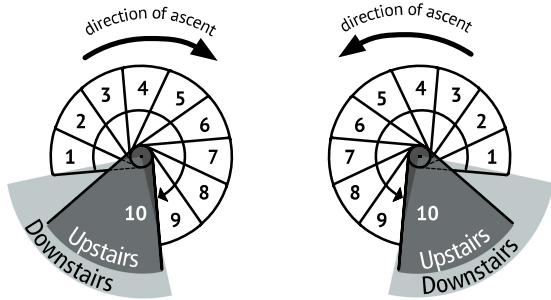


If the first step from the bottom is not accessible, try, if possible, to move the arrival point, to reverse the direction of ascent or to add or remove steps.

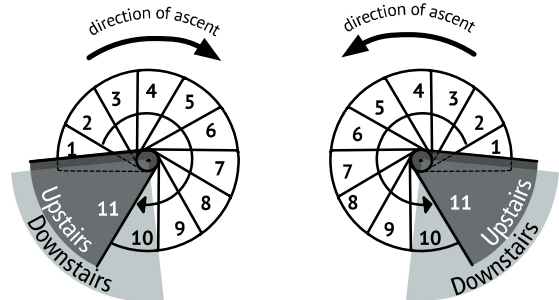
# POSSIBLE CONFIGURATIONS OF THE STAIRCASE

Through the following configurations it is possible to determine the direction of ascent, the access to the staircase from the lower and upper floors based on the number of steps.

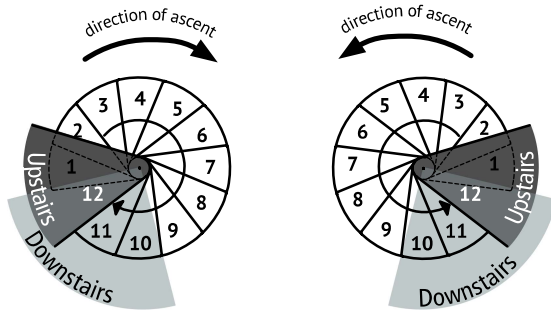
**10 STEPS landing included (10 RISES)**  
Height between floors: Min. 205 cm - Max. 240 cm



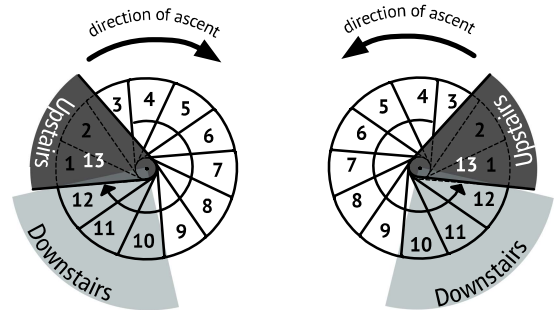
**11 STEPS landing included (11 RISES)**  
Height between floors: Min. 226 cm - Max. 264 cm



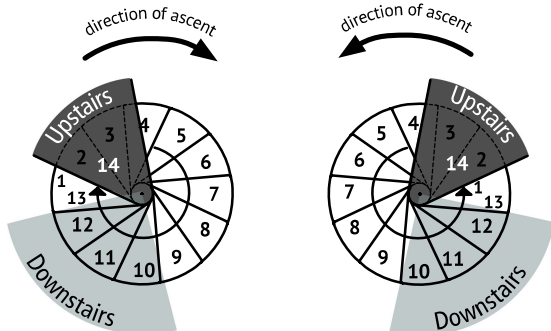
**12 STEPS landing included (12 RISES)**  
Height between floors: Min. 246 cm - Max. 288 cm



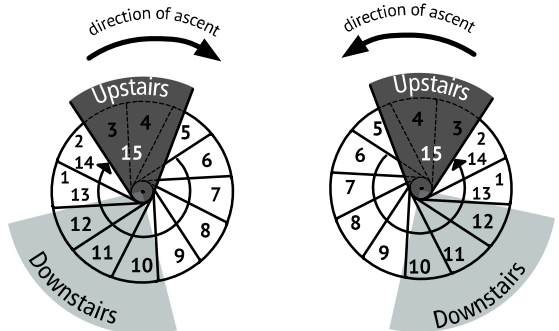
**13 STEPS landing included (13 RISES)**  
Height between floors: Min. 267 cm - Max. 312 cm



**14 STEPS landing included (14 RISES)**  
Height between floors: Min. 287 cm - Max. 336 cm



**15 STEPS landing included (15 RISES)**  
Height between floors: Min. 308 cm - Max. 360 cm



**16 STEPS landing included (16 RISES)**  
Height between floors: Min. 328 cm - Max. 384 cm

